

## Full HD Outdoor Dome Network Camera

Panasonic WV-U2530L captures the highest quality images in even very challenging and dynamic environments. Intelligent Auto (iA) monitors scene dynamics and motion to adjust key camera settings automatically in real-time reducing distortion such as motion blur on moving objects. By adopting H.265 Smart Coding technology, bandwidth efficiency is intelligently increased for longer recording and less storage.

### Extreme image quality allows evidence to be captured even under challenging conditions

- Auto Shutter speed control for fast moving vehicles
- Sharp and clear images of a walking person day & night
- Outstanding low light performance in true color with low noise for night time applications
- Super Dynamic 120dB for backlit situations involving headlights and shadows on night streets
- Environmental durability : IP66, IK10 compliant and Dehumidification device

### Extreme bandwidth compression with Panasonic H.265 Smart Coding

- Longer recording and less storage compared to any H.264 based compression techniques
- Self-learning ROI\* encoding (Auto VIQS) detects movement within the image and compresses the areas with little motion in order to reduce transmitted data while maintaining the quality of the image.

\*Region of Interest

### Key Features

- Full HD 1080p up to 30fps
- iA (intelligent Auto)
- Super Dynamic 120dB
- Color night vision (0.006 to 0.1 lx)
- H.265 Smart Coding
- Corridor mode  
(90 degrees or 270 degrees in image rotation)
- Onvif Profile G / T

### Industry examples

- Safe Cities
- Transportation (Airport / Train, Subway station)
- Bank (ATM, Entrance)
- Retail / Logistics / Education / Hospital / Building



## Specifications

<b>Camera</b>	Image Sensor	Approx. 1/3 type CMOS image sensor					
	Minimum Illumination	Color : 0.1 lx, BW: 0.04 lx (50IRE, F2.0, Maximum shutter: Off (1/30s), AGC: 11) BW : 0 lx (50IRE, F2.0, Maximum shutter: OFF (1/30 s), AGC: 11, when the IR LED is lit) Color : 0.006 lx, BW: 0.0025 lx (50IRE, F2.0, Maximum shutter: max. 16/30s, AGC: 11) *1					
	White Balance	ATW1/ ATW2/ AWC					
	Maximum shutter	[30fps mode] Max. 1/10000 s to Max. 16/30 s [25fps mode] Max. 1/10000 s to Max. 16/25 s					
	Intelligent Auto	On / Off					
	Super Dynamic	On / Off. The level can be set in the range of 0 to 31.					
	Dynamic Range	Max.120 dB (Super Dynamic: On, Level: 31)					
	Adaptive Black Stretch	The level can be set in the range of 0 to 255.					
	Back light compensation / High light compensation	BLC (Back light compensation) / HLC (High light compensation) / Off The level can be set in the range of 0 to 31. (only when Super Dynamic/ Intelligent auto: Off)					
	Fog compensation	On / Off. The level can be set in the range of 0 to 8. (only when Intelligent auto / auto contrast adjust: Off)					
	Maximum gain (AGC)	The level can be set in the range of 0 to 11.					
	Color/BW (ICR)	Off/ On (IR Light Off)/ On (IR Light On) Auto1 (IR Light Off)/ Auto2 (IR Light On)/ Auto3 (SCC)					
	IR LED Light	High/ Middle/ Low/ Off Maximum irradiation distance: 30 m (Approx. 100 ft)					
	Digital Noise Reduction	The level can be set in the range of 0 to 255.					
	Video Motion Detection (VMD)	On / Off, 4 areas available					
	Scene Change Detection (SCD)	On / Off, 1 area available					
	Privacy Zone	On / Off, Up to 8 zones available					
	VIQS	On / Off. Up to 8 zones available					
	Image rotation *2	0° (Off)/ 90°/ 180° (Upside-down)/ 270°					
	Camera Title (OSD)	On / Off, Up to 20 characters (alphanumeric characters, marks)					
<b>Lens</b>	Focal length	3.2 mm (1/8 inches)					
	Optical zoom	1x					
	Extra zoom	1.0x - 1.5x (when resolution is 1280x720)					
	Digital (electronic) zoom	Choose from 3 levels of x1, x2, x4					
	Angular Field of View	[16 : 9 mode] Horizontal : 100°, Vertical : 54° [4 : 3 mode] Horizontal : 81°, Vertical : 60°					
	Maximum Aperture Ratio	1 : 2.0					
	Focusing Range	1 m (39-3/8 inches) - ∞					
<b>Adjusting Angle</b>		Horizontal (PAN) angle: -175° ~ +175°, Vertical (TILT) angle: -30° ~ +80° Azimuth (YAW) angle: ±100°					
<b>Browser GUI</b>	Camera Control	Brightness					
	GUI / Setup Menu Language	English, Italian, French, German, Spanish, Portuguese, Russian, Chinese, Japanese					
<b>Network</b>	Network IF	10Base-T / 100Base-TX, RJ45 connector					
	Resolution	[16 : 9 mode] 1920x1080, 1280x720, 640x360, 320x180 [4 : 3 mode] 1600x1200, 1280x960, VGA, QVGA					
	H.265	Transmission Mode Constant bit rate / VBR / Frame rate / Best effort					
	H.265	Transmission Type Unicast port(AUTO) / Unicast port(MANUAL) / Multicast					
	Max. frame rate for each stream	Single-stream	Stream(1) 30fps	Stream(2) Off	Stream(3) Off	JPEG(1) 3fps	JPEG(2) 3fps
	JPEG	Image Quality	10 steps				

<b>Network</b>	Smart Coding	<b>GOP(Group of pictures) control:</b> On(Frame rate control)/ On(Advanced)/ On(Mid.)/ On(Low)/ Off <b>AUTO VIQS:</b> On/ Off		
	Audio Compression	-		
	Audio transmission mode	-		
	Supported Protocol	IPv6 : TCP/IP, UDP/IP, HTTP, HTTPS, SMTP, DNS, NTP, SNMP, DHCPv6, RTP, MLD, ICMP, ARP, IEE 802.1X, DiffServ IPv4 : TCP/IP, UDP/IP, HTTP, HTTPS, RTSP, RTP, RTSP/RTCP, SMTP, DHCP, DNS, DDNS, NTP, SNMP, UPnP, IGMP, ICMP, ARP, IEE 802.1X, DiffServ		
	No. of Simultaneous Users	Up to 14 users (Depends on network conditions)		
	SDXC/SDHC/SD Memory Card (Option)	H.265 recording: Manual REC / Alarm REC (Pre/Post) / Schedule REC / Backup upon network failure Compatible microSDXC/microSDHC Memory Card: microSD speed class6 or higher Panasonic 32 GB*, 64 GB**model *microSDHC card, **microSDXC card		
	Mobile Terminal Compatibility	iPad, iPhone, Android™ terminals		
	ONVIF Profile	G / T		
	<b>Alarm</b>	Alarm Source	VMD alarm, SCD alarm, Command alarm	
		Alarm Actions	SDXC/SDHC/SD memory recording, E-mail notification, HTTP alarm notification, Indication on browser, Panasonic alarm protocol output	
<b>Input/ Output</b>	Monitor Output(for adjustment)	-		
	Audio input	-		
	Audio Output	-		
	External I/O Terminals	-		
<b>General</b>	Safety	UL (UL60950-1), c-UL (CSA C22.2 No.60950-1), CE, IEC60950-1		
	EMC	FCC (Part15 ClassA), ICES003 ClassA, EN55032 ClassB, EN55024		
	Power Source and Power Consumption	PoE (IEEE802.3af compliant) Device: DC48 V 100 mA, Approx. 4.8 W (Class 2 device)		
	Ambient Operating Temperature	-30 °C to +50 °C (-22 °F to +122 °F) {Power On range: -20 °C to +50 °C (-4 °F to +122 °F)}		
	Ambient Operating Humidity	10 to 100 % (no condensation)		
	Dehumidification Device	Temish element		
	Water and Dust Resistance*3	IP66 (IEC 60529), Type 4X (UL50E), NEMA 4X compliant		
	Shock Resistance	IK10 (IEC 62262)		
	Wind Resistance	Up to 40 m/s (approx. 89 mph)		
	Dimensions	ø109 mm (W) x 62 mm (H) (ø4-9/32 inches x 2-7/16 inches (H)) Dome radius 30.5 mm (1-3/16 inches)		
Mass (approx.)	270 g (0.60 lbs)			
Finish	Main body : Aluminum die cast / Polycarbonate resin, i-PRO white Outer fixing screws : Stainless steel (Corrosion-resistant treatment) Dome cover : Polycarbonate resin, Clear			

\*1 Converted value

\*2 When "4:3(30fps mode)" or "4:3(25fps mode)" is selected for "Image capture mode", "90 °" and "270 °" cannot be selected.

\*3 Only when installation work is properly performed according to the Installation Guide and appropriate waterproof treatment is performed.

## Optional Accessories

### Mount Bracket / Dome Cover / Other

<b>Base bracket</b> <b>WV-QJB502-W</b> (i-PRO white) 	<b>Ceiling Mount Bracket</b> <b>WV-QCL101-W</b> (i-PRO white)  <p>*For indoor installation only</p>	<b>Wall Mount Bracket</b> <b>WV-QWL500-W</b> (i-PRO white) 
<b>Adapter Box</b> <b>WV-QJB500-W</b> (i-PRO white)  <p>(This bracket requires WV-QWL500-W.)</p>	<b>Pole Mount Bracket</b> <b>WV-QPL500-W</b> (i-PRO white)  <p>(This bracket requires WV-QWL500-W.)</p>	<b>Corner Mount Bracket</b> <b>WV-QCN500-W</b> (i-PRO white)  <p>(This bracket requires WV-QWL500-W.)</p>
<b>Dome Cover (Smoke type)</b> <b>WV-QDC500S</b> 		

• Brackets are available in four colors, Fine silver, Light gray, Gray and i-PRO white. It is possible to use them in different color combinations.

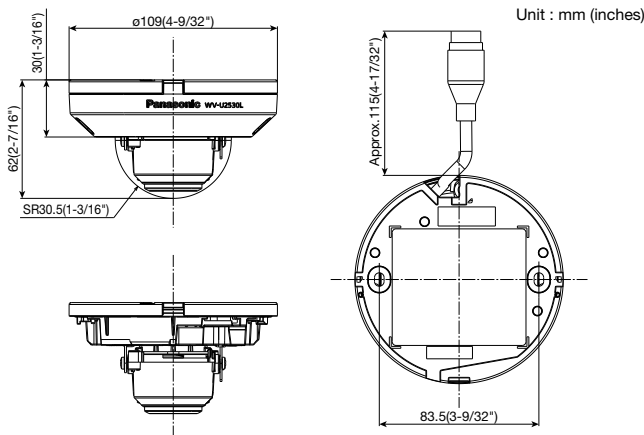
### Important

– Safety Precaution : Carefully read the Basic Information, Installation Guide and Operating Instructions before using this product.

– Panasonic cannot be responsible for the performance of the network and/or other manufacturers' products used on the network.

• Masses and dimensions are approximate. • Specifications are subject to change without notice.

## Appearance



### Trademarks and registered trademarks

– iPad and iPhone are trademarks of Apple Inc., registered in the U.S. and other countries.

– Android is a trademark of Google LLC.

– ONVIF is trademarks or registered trademarks of Onvif Inc.

– All other trademarks identified herein are the property of their respective owners.

# Panasonic®

Panasonic Corporation

Panasonic i-PRO Sensing Solutions Co., Ltd.

<https://ipro.panasonic.com>

<https://security.panasonic.com>

<https://www.linkedin.com/company/i-pro-sensing-solutions-co-ltd/>

(2A-243CL)